

1. INTRODUCTION



Thank you for your purchase of the Transmitter Solutions Dolphin wireless keypad. The DOLGDO3433D will accommodate one 4 digit PIN to activate a signal transmission.

Package contains:

- Keypad
- 9 volt battery
- 2 screws + wall anchors
- Keypad instructions

Please follow the detailed instructions below in order to set up the Dolphin keypad to operate with your garage door opener or receiver.

2. OPERATIONAL FEATURES

- Pressing any key illuminates the keypad for 5 seconds.
- A "buzzer" indicates each button depression.
- After 20 incorrect key entries, the keypad will "lock up" for 40 seconds.
- If the battery is low the single LED flashes rapidly for 5 seconds, indicating it is time to replace the battery.
- After you have entered a valid code, the keypad LED will flash during the 5 second "time out" period. During the "time out" period you may press any key and the keypad will send another signal to your receiver each time you press a key.
- The * key resets your entry. If you make a mistake while entering your PIN, pressing the * key resets your entry so you can start over.

HINT: If you always begin your PIN with the * you will reduce the likelihood of faulty operation.

3. PROGRAMMING YOUR NEW KEYPAD

TO CHANGE TO RADIO CODE:

DIP switch must be set to match the code on the 10 position switch on the garage door operator receiver.

TO CHANGE TO ACCESS CODE:

1-2-3-4 1-3-5-7 #
(Old Access Code) (New Access Code)

LEDS:

Indicator LED:

Indicator LED ON:
Into change access code mode

Indicator LED blink
The code is enter incorrectly

Keypad LED:

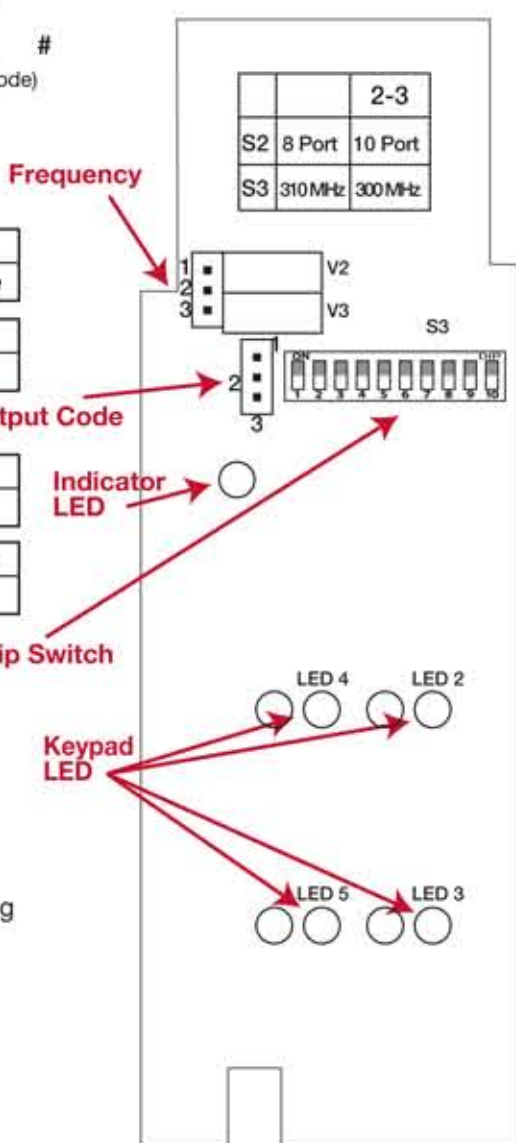
Keypad LED blink
Access code passed

Keypad LED blink rapidly 5sec
Battery low (7V)

PRESET FACTORY CODES:

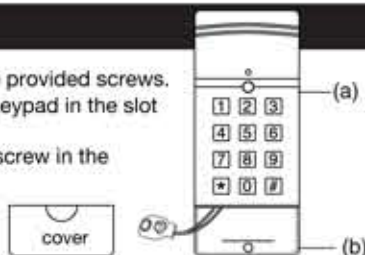
Access code : * - 1 - 2 - 3 - 4 - #

(Note: To reset the access code remove 9 volt battery form unit, Depress any key on the keypad and wait 5 seconds before installing



4. INSTALLATION

- Position the keypad on the garage door frame with the provided screws.
- Lift up the cover and insert the long screw above the keypad in the slot provided (a).
- Remove the battery cover and insert the second long screw in the lower slot (b).
- Replace the battery cover.



5. RETURN TO DEFAULT SETTINGS

Return to Default Settings

1. Disconnect the power by removing the battery.
2. Press the 1, 4, and 7 keys simultaneously.
3. Re-connect the battery to power up the keypad.
4. Release the 1, 4, and 7 keys.

Note: The keypad is returned to the default "Master Code" 1234. And all User Entry Codes are deleted.

Multi-color status LED

ORANGE - Key depress

GREEN - Code was entered correctly and the keypad is transmitting

GREEN - Programming Mode

RED - (Flashing 3 times) Error was made in either programming mode or in code entry.

6. WARNING

If this transmitter triggers other doors in your neighborhood, change all your transmitters and receivers to a new code setting.

DO NOT let children use the keypad without adult supervision. Children can injure themselves, or others, if left unsupervised. Make sure all the required safety devices are installed before operating any door.

7. FCC

The keypad is approved by the FCC and it complies with Part 15 of the FCC Rules. Its operation is subject to the following 2 conditions:

1. This device may not cause harmful interference.
2. The device must accept any interference that may cause undesired operation.

WARNING:

Changes or modifications to this unit not expressly approved by the party responsible for compliance could void the user's authority to operate the equipment.

FCC ID: SU7DOLGDO433D