



Proximity exit button with infrared sensor FAS-PG-BUTTON-09

Ver13.1

● Features

- Built-in micro controller for decoding infrared signal to avoid interference from the noise.
- With bi-color status LED (Power on: **Red**/ Proximity: **Blue**).
- Adjustable proximity range: **3~10cm** (Default: 10 cm), depending on the reflection rate of different object.
- Support **adjustable opening time 0.5~20 Sec.** (Default: 0.5 Sec.) or **latched ON or OFF output**.
- With **N.C.** and **N.O.** output.

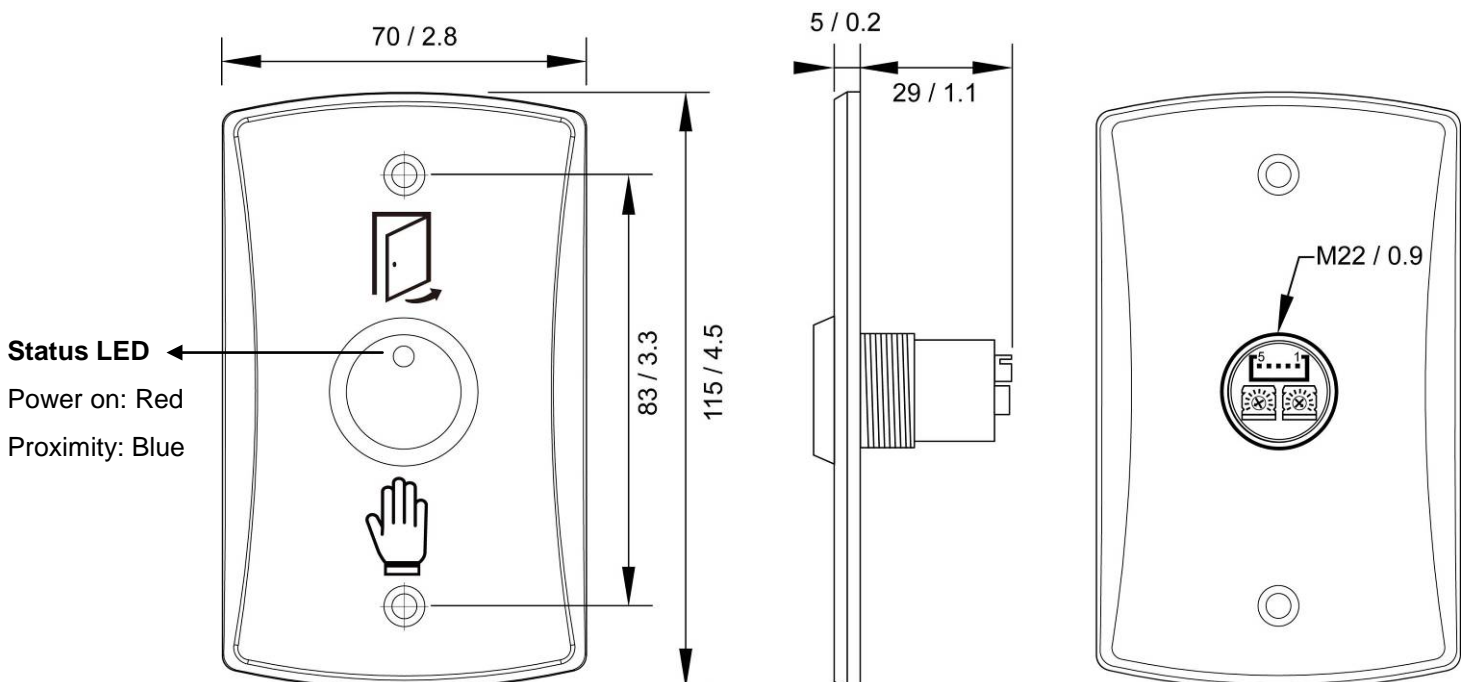
● Specification

Dimensions	5(plate)/34(total depth) x 75(W) x 115(L)mm
Net Weight	120g ± 5%
Hole distance	83mm
Material	Face plate: Zinc alloy IR sensor: Polycarbonate fire & UV proof material
Waterproof	IR sensor:IP65
Power supply	DC 10V~16V 1A
Relay contact rating	1A@ 30 VDC
Current	DC 12V Standby Current: 25mA±5% Operating Current: 35mA±5%
Operating temperature	-20°C ~ 75°C
Life	Mechanical: 3,000,000 cycles
	Electrical: 200,000 cycles

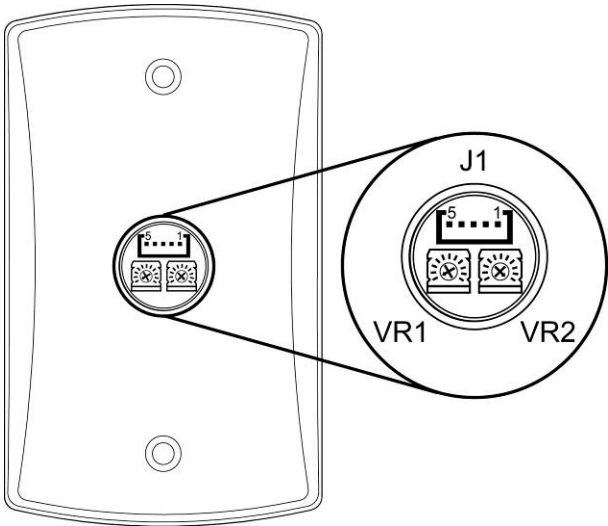
● Appearance



● Dimension: Unit(mm / inch)



● **Pin definition**



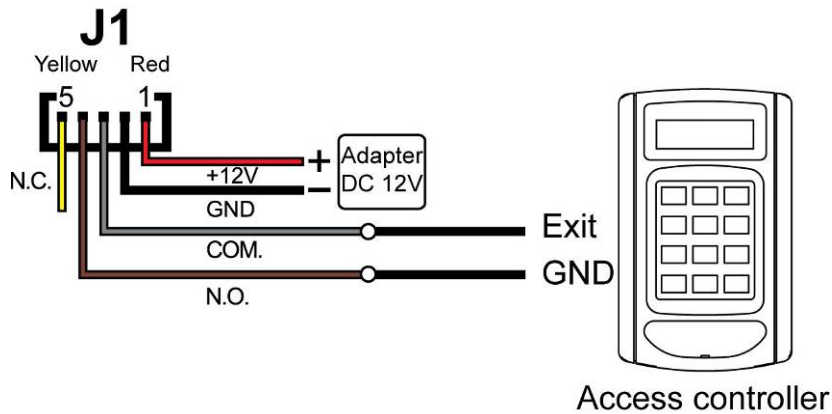
J1 - Power and relay output			
	Pin	Color	Function
	1	Red	+12V
	2	Black	GND
	3	Grey	COM.
	4	Brown	N.O.
	5	Yellow	N.C.
VR1 - Adjustable opening time. (Unit: Sec.)			
	Adjustable opening time : 0.5~20 Sec. Latch ON or OFF: Turn right to the end (Default: 0.5 Sec.)		
VR2 - Adjustable proximity range. (Unit: cm)			
	Adjustable proximity range: 3~10cm (Default: 10 cm)		

● **Note**

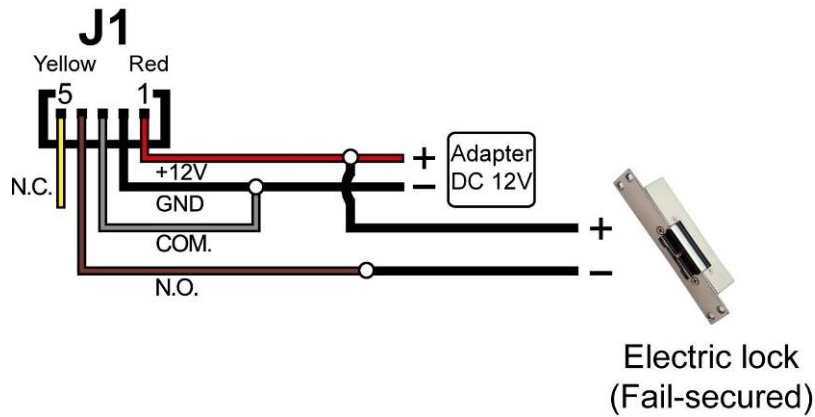
- Please make sure the voltage range before installing to avoid product damage.
- Please check no other object in front of the infrared sensor before turning on the power.
- Please re-transmission power or proximity the infrared sensor three times after adjusting VR1.

● **Wiring diagram**

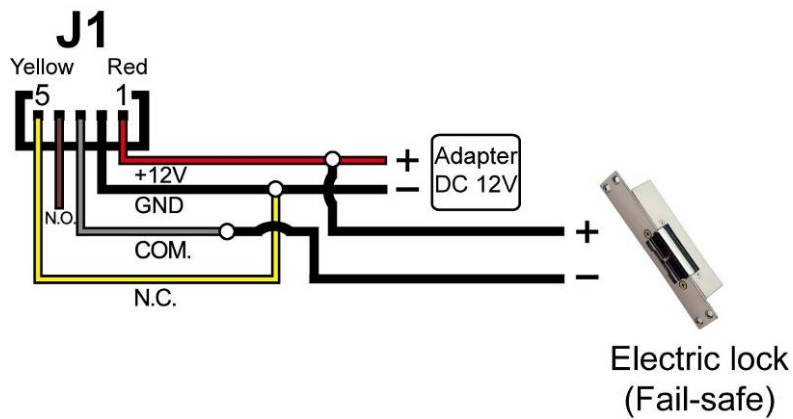
Connect to access controller



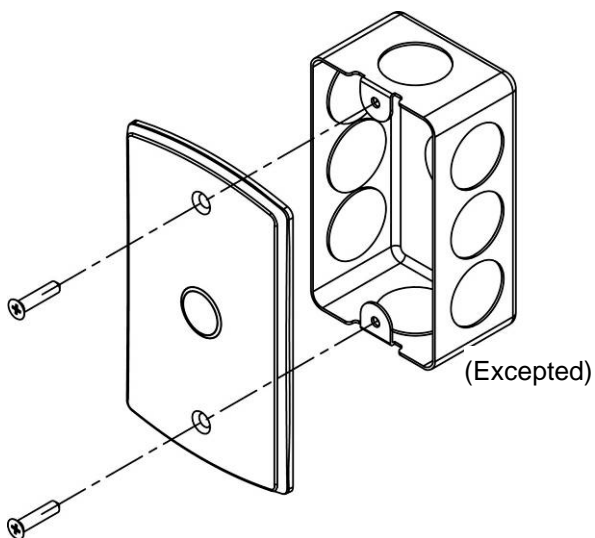
Connect to electric lock (Fail-secured)



Connect to electric lock (Fail-safe)



● **How to assembly**



● **Packing list**

Manual	: 1 pcs
5 Pin connector	: 1 pcs
Screw	: 2 pcs